

48 0/A MODULAR GUARD BOOTH

(4' x 8' ACTUAL SIZE)

PLAN B

OHIO DESIGN CODES

2005 OHIO BUILDING CODE
 2005 OHIO MECHANICAL CODE
 2005 OHIO PLUMBING CODE
 2005 NATIONAL ELECTRICAL CODE

DESIGN LIVE LOADS

FLOOR:..... 50 PSF LIVE LOAD
 10 PSF DEAD LOAD

ROOF:..... 40 PSF LIVE LOAD
 10 PSF DEAD LOAD

CONSTRUCTION TYPE:..... 5B
 OCCUPANCY/USE GROUP: B
 BUILDING AREA:..... 32 SQ. FT.
 MINIMUM BUILDING
 SET BACK:..... GREATER THAN 10 FEET TO A
 COMMON OR ASSUMED PROPERTY LINE

SEISMIC ZONE:..... GROUP I, CATEGORY C
 MAXIMUM WIND LOAD:..... 90 MPH, EXPOSURE C
 OCCUPANT LOAD:..... 1

DRAWING INDEX

DRAWING NUMBER	DESCRIPTION
#1	SPECIFICATIONS
#2	ELEVATIONS
#3	FLOOR / ELECTRICAL PLAN
#4	CROSS SECTION / BLOCKING POINTS PLAN

SPECIAL LIMITATIONS:

ADEQUATE HANDICAPPED RESTROOM FACILITIES TO HANDLE THE ADDITIONAL OCCUPANT LOAD CREATED BY THE ADDITION OF THIS BUILDING TO A SITE SHALL BE PROVIDED IN AN ADJACENT BUILDING ON THE SAME PROPERTY. THE LOCAL OFFICIAL HAVING JURISDICTION SHALL VERIFY THE EXISTING FACILITIES.

TITLE: COVER SHEET	DRAWN BY: R.M.	DATE: 9/18/06	JOB NO: 2006-271
MODEL: 48 0/A GUARD BOOTH	REV: 10/3/06	SCALE: NTS	DRAWING NO: CVR

TWIN MODULAR SERVICES, INC.
 10 INDUSTRIAL HWY., MS #26, BLDG. H3A, LESTER, PA 19113

CHASSIS

TYPE: PERIMETER

MAIN BEAM: 6" "C" CHANNEL 8.5 LBS PER FT.

CROSS MEMBERS: 6" "C" CHANNEL 8.5 LBS PER FT

PAINT: ASPHALT BASED

FLOOR

INSULATION: NONE

DECKING: 3/4" PLYWOOD, 24 O.C. SECURED DIRECTLY TO STEEL FRAME

COVERING: 1/4" COMMERCIAL RUBBER FLOORING - BLACK

OPTION: 3/16" STEEL PLATE FLOOR W/ NON-SKID PAINT

TRIM: 1/4" X 2" RUBBER BASE TRIM - BLACK

OPTION: 1/8" ALUMINUM TREAD PLATE FLOOR

EXTERIOR WALLS

STUDS: 2"x4" STUD GRADE SPF @ 16" O.C.

BOTTOM PLATE: SINGLE 2"x4" #3 SPF

TOP PLATE SINGLE 2"x4" #3 SPF

WALL HEIGHT: 8'-3"

FINISHED CEILING HT: 7'-9" A.F.F.

INSULATION: R-13 FIBERGLASS KRAFT-BACKED BATTS

INT. WALL COVERING: 1/4" VINYL COVERED PANEL (CLASS III)

INT. WALL COVERING OPTION: 1/2" VINYL COVERED GYP. (CLASS I)

ROOF

TYPE: RAFTER, 2x4 WOOD @ 16" O.C.

CEILING: 2'x4' T-GRID DROP CEILING @ 7'-9" A.F.F.

INSULATION: R-13 KRAFT FACED FIBERGLASS BATTS

OPTION: 6" OVERHANG

ELECTRICAL

MAIN DISTRIBUTION PANEL: INTERIOR (WEATHERPROOF) 100 AMP 120/240 VOLT SINGLE PHASE, 3 WIRE, 60 HZ. WITH GROUND

RACEWAY: MINIMUM #14/2 W/ GROUND 90 DEG. C. TYPE MC, COPPER

INTERIOR LIGHTS: 2'x4' TWO TUBE LAY-IN FLUORESCENT TROFFER PER PRINT

EXTERIOR LIGHTS: 60 WATT PORCH LIGHTS (WEATHERPROOF)

SWITCHES: 120 V. 15 AMP SINGLE POLE PER PRINT

RECEPTACLES: 120 V. 15 AMP DUPLEX RECEPPTS PER PRINT

OPTION: ADDITONAL RECEPTACLES

OPTION: EXTRA EXTERIOR LIGHTING

OPTION: EXTERIOR ELECTRICAL PANEL, 100 AMP

OPTION: DATA JUNCTION BOX WITH CONDUIT TO ABOVE CEILING - WIRING BY OTHERS

H.V.A.C.

HEATING: 220V, 20 AMP, 4' ELEC. BASEBOARD HEATER, DEDICATED CIRCUIT

AIR CONDITIONING: 110V, 6500 BTU WALL MOUNT

OPTION: HEAT / AIR CONDITIONER COMBINATION UNIT

OPTION: 3000 WATT WALL HEATER WITH FAN-208/240 VOLT

EXTERIOR WINDOWS & DOORS

DOORS: 36"x80" ALUM. DOOR, ALUM. FRAME, FOAM INSULATED W/ 14"x14" S.G., LEVER PASSAGE HARDWARE

OPTION: 36"x80" STEEL DOOR W/ 22"x30" WINDOW (S.G.), LEVER HARDWARE

OPTION: 36" X 80" HEAVY DUTY STEEL SLIDING DOOR WITH 22" X 28" VISION AND 6" OVERHANG ALL SIDES

WINDOWS: 36"x39" HORIZONTAL SLIDER, ALUM. MILL FINISH, SINGLE GLAZE

30"x39" HORIZONTAL SLIDER, ALUM. MILL FINISH, SINGLE GLAZE

OPTION: VINYL CLAD, THERMAL PANE WINDOWS

OPTION: FILM TINT ALL WINDOWS

EXTERIOR FINISHES

SIDING: .019 ALUMINUM

TRIM: .019 ALUMINUM

WALL SHEATHING: 7/16" OSB OR CDX PLYWOOD, 16/0 SPAN INDEX RATING

ROOF SHEATHING: 1/2" CDX PLYWOOD, 16/0 SPAN RATING

ROOF: .45 EPDM RUBBER ROOFING

FURNITURE

OPTION: 2'-0" x 3'-4" COUNTER TOP - WHITE MICA

TITLE:	SPECIFICATIONS	DRAWN BY:	R.M.	DATE:	9/18/06	JOB NO:	2006-271
MODEL:	48 O/A GUARD BOOTH	REV:	10/3/06	SCALE:	NTS	DRAWING NO:	1
TWIN MODULAR SERVICES, INC.				10 INDUSTRIAL HWY., MS #26, BLDG. H3A, LESTER, PA 19113			

45 MIL EPDM RUBBER ROOFING

.019 ALUM. SIDING

AC UNIT
6500 BTU

36" X 39"
HORIZONTAL
SLIDING WINDOWS
SINGLE GLAZED

7'-9" (93") CEILING HT.

9'-3" (111") EXTERIOR TOTAL HEIGHT

FRONT ELEVATION

45 MIL EPDM RUBBER ROOFING

.019 ALUM. SIDING

2

9'-3" (111") EXTERIOR TOTAL HEIGHT

7'-9" (93") CEILING HT.

REAR ELEVATION

45 MIL EPDM RUBBER ROOFING

AC UNIT

.019 ALUM. SIDING

1

36" X 80"
ALUMINUM DOOR
WITH 14" X 14"
VISION AND
LOCKSET

9'-3" (111") EXTERIOR TOTAL HEIGHT

7'-9" (93") CEILING HT.

CURB SIDE ELEVATION

7" x 3" FORK SLOTS, 32" O.C.

45 MIL EPDM RUBBER ROOFING

AC UNIT

.019 ALUM. SIDING

1

1

INTERIOR 100 AMP MAIN
BREAKER ELECTRICAL
SERVICE PANEL WITH 1 1/2
CONDUIT TO EXTERIOR

○

7'-9" (93") CEILING HT.

9'-3" (111") EXTERIOR TOTAL HEIGHT

7" x 3" FORK SLOTS, 32" O.C.

ROAD SIDE ELEVATION

TITLE:
ELEVATIONS

DRAWN BY:
R.M.

TWIN MODULAR SERVICES, INC.

DATE:
9/18/06

JOB NO:
2006-271

MODEL:
48 O/A GUARD BOOTH

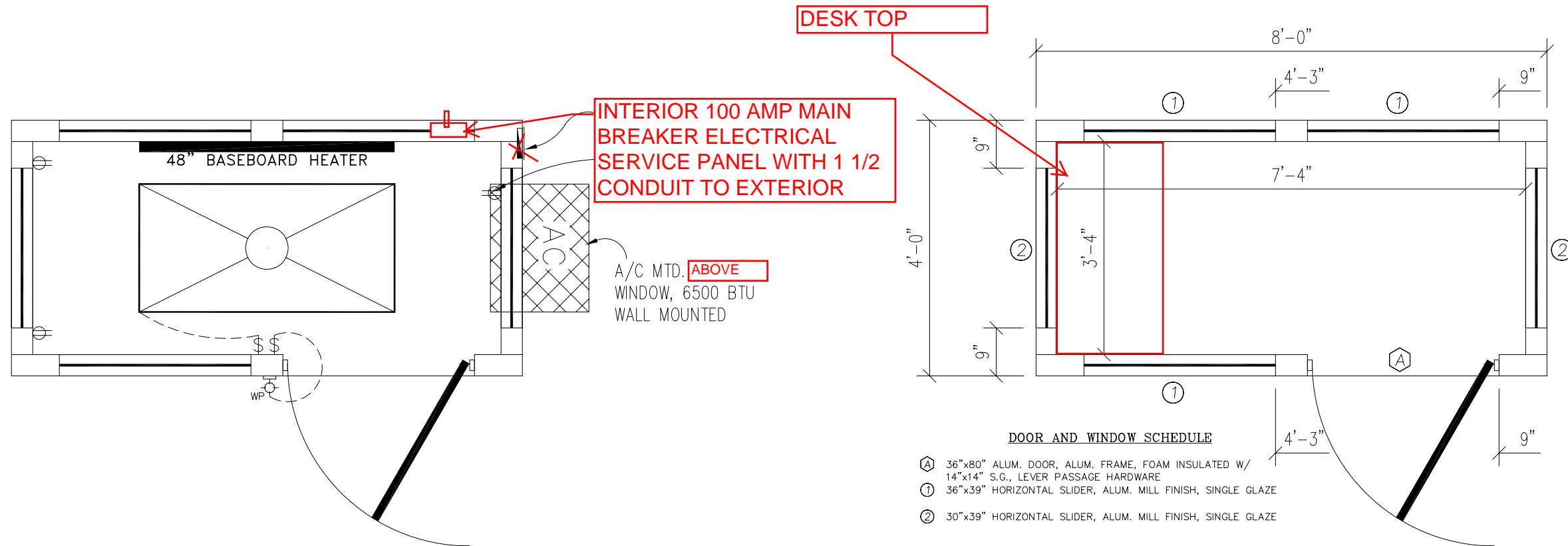
REV:
10/3/06

10 INDUSTRIAL HWY., MS #26, BLDG. H3A, LESTER, PA 19113

SCALE:
1/4"=1'-0"

DRAWING NO.:

2



- DOOR AND WINDOW SCHEDULE**
- (A) 36"x80" ALUM. DOOR, ALUM. FRAME, FOAM INSULATED W/ 14"x14" S.G., LEVER PASSAGE HARDWARE
 - (1) 36"x39" HORIZONTAL SLIDER, ALUM. MILL FINISH, SINGLE GLAZE
 - (2) 30"x39" HORIZONTAL SLIDER, ALUM. MILL FINISH, SINGLE GLAZE

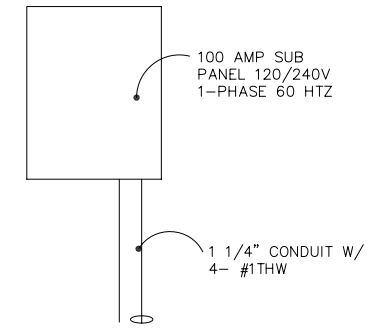
ELECTRICAL

1. ALL RECEPTACLES TO BE GROUNDING TYPE.
2. ALL WIRING TO BE PER THE EDITION OF THE NEC LISTED ON THE COVER PAGE, TYPE MC (CU) W/ GROUND.
3. MAIN PANEL TO BE MARKED "SUITABLE FOR USE AS SERVICE EQUIPMENT", AND BE EQUIPPED W/ BREAKER/FUSE TYPE OVERCURRENT PROTECTION.
4. PROPER THERMAL OVERLOAD PROTECTION TO BE PROVIDED FOR ALL MOTORS.
5. DISCONNECTING MEANS WITHIN SIGHT REQUIRED FOR ALL MOTORS.
6. WEATHERPROOF PROTECTION REQUIRED FOR ALL OUTDOOR LIGHTS, RECEPTACLES AND DISCONNECTS.
7. PROPER WORKING CLEARANCES TO BE PROVIDED AND MAINTAINED ABOUT ALL ELECTRICAL EQUIPMENT.
8. ALL FLUORESCENT FIXTURES REQUIRE THERMAL PROTECTION AND PROPER CLEARANCES FROM INSULATION, ALSO APPLICABLE FOR INCANDESCENT FIXTURES.
9. COMBINATION EXHAUST FAN/LIGHT AND ALL RECESSED INCANDESCENT FIXTURES TO BE WITH THERMAL PROTECTION.
10. EXIT LIGHTS (IF ELECTRIC) MUST BE FED FROM AN APPROVED EMERGENCY SERVICE CONNECTED AHEAD OF, BUT NOT WITHIN MAIN SERVICE DISCONNECTION MEANS ENCLOSURE, AND INSTALLED AS PER SERVICE REQUIREMENTS, OR BE BATTERY BACKUP TYPE UNITS.
11. SERVICE CONDUCTORS, LOCATED WITHIN THE PERIMETER OF THE BUILDING, SHALL BE INSTALLED IN ACCORDANCE WITH ARTICLE 230-6, PER THE EDITION OF THE NEC LISTED ON THE COVER PAGE.
12. MAXIMUM 15 (2) TUBE FLOURESCENT LIGHTS ON 15A CIRCUIT, MAXIMUM 10 RECEPTS ON 15A CIRCUIT, MAXIMUM 7 (4) TUBE FLOURESCENT LIGHTS ON 15A CIRCUIT.
13. MAXIMUM 20 (2) TUBE FLOURESCENT LIGHTS ON 20A CIRCUIT, MAXIMUM 13 RECEPTS ON 20A CIRCUIT, MAXIMUM 10 (4) TUBE FLOURESCENT LIGHTS ON 20A CIRCUIT.

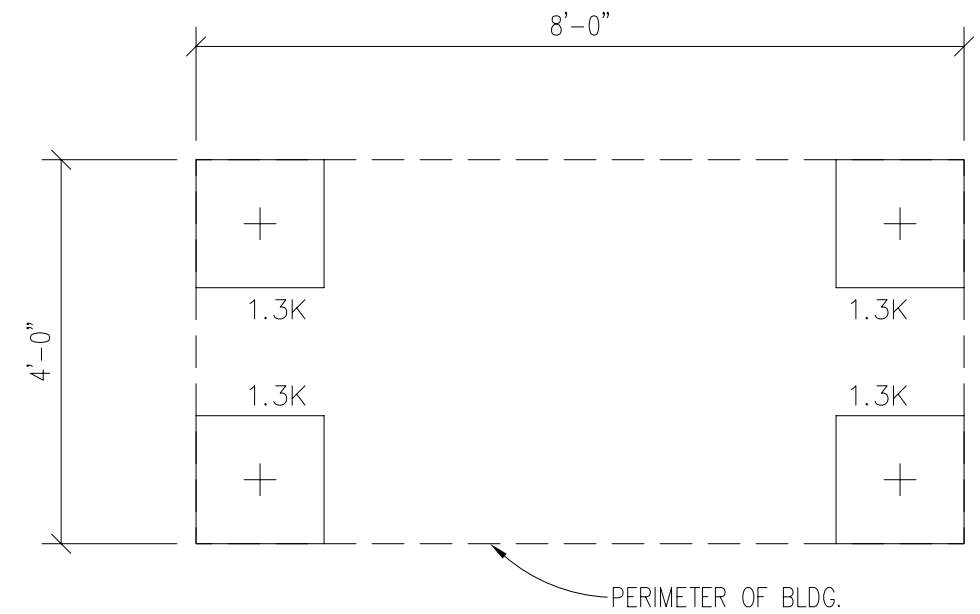
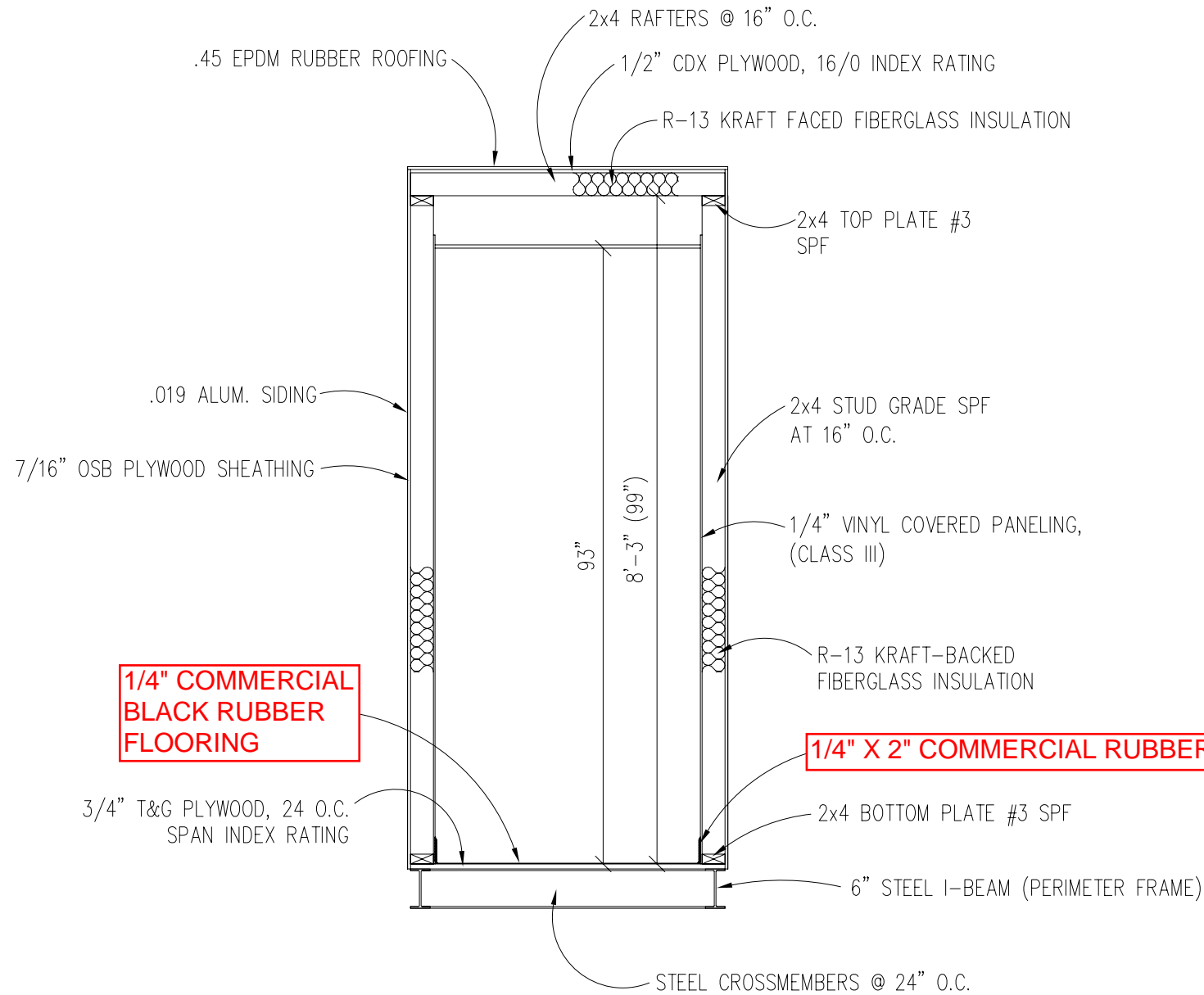
ELECTRICAL LEGEND

- 4'-0" (2) TUBE FLUORESCENT LIGHT
- 100A 120/240V MAIN PANEL
- 15A 110V SINGLE POLE TOGGLE SWITCH +48"
- 15A 120V DUPLEX RECEPTACLE (RECEPTS AT +18" UNLESS NOTED)
- EXTERIOR WALL MOUNTED LIGHT, WEATHERPROOF
- 48" BASEBOARD HEATER

AMPACITIES OF INSULATED CONDUCTORS 90°C WIRE COPPER	
AWG	MAXIMUM AMPACITY
14	15 AMP
12	20 AMP
10	30 AMP
8	50 AMP
6	65 AMP
4	85 AMP
3	100 AMP
2	115 AMP
1	130 AMP



TYP. 100 AMP ELECTRICAL RISER DIAGRAM
N.T.S.



FOUNDATION & TIE-DOWN DESIGN BY OTHERS

BUILDING CODE

1. ATTIC VENTILATION SHALL NOT BE LESS THAN 1/150th OF THE HORIZONTAL AREA TO BE VENTILATED.
2. THE BUILDING EXTERIOR AND ALL FACILITIES WITHIN THE BUILDING SHALL BE IDENTIFIED WITH THE INTERNATIONAL SYMBOL OF ACCESSIBILITY.
3. BUILDER/DEALER SHALL BE RESPONSIBLE FOR ON SITE BARRIER FREE PROVISIONS: STEPS, RAMPS, PARKING SIGNS, ETC. - BUILDING APPROACH (WALK OR RAMP) WITH A MINIMUM WIDTH OF 5' AND A GRADIENT OF NOT MORE THAN 1 FOOT IN 20 FEET.
4. ALL LOCKS TO BE UNLOCKABLE FROM THE INTERIOR WITHOUT THE USE OF A KEY OR SPECIAL KNOWLEDGE.
5. CORROSION RESISTANT FLASHING AT TOP AND SIDES OF DOORS, WINDOWS AND AT ROOF PENETRATIONS.
6. ALL GLAZING WITHIN 24" OF EXTERIOR PASSAGE DOORS AND IN PASSAGE DOORS, OR WITHIN 18" OF FLOOR TO BE "SAFETY GLAZED" AND SO MARKED.

FOUNDATION

1. THE PIER LOCATIONS SHOWN ON THIS PLAN ARE FOR THE PURPOSE OF IDENTIFYING THE LOCATION OF THE REQUIRED BLOCKING POINTS AND THE LOADS APPLIED AT EACH POINT FOR THIS BUILDING. FOUNDATION REQUIREMENTS ARE NOT KNOWN DUE TO VARYING SOIL CONDITIONS.
2. FOUNDATION DESIGN IS BY OTHERS. FOUNDATION REVIEW AND APPROVAL IS TO BE PERFORMED BY THE LOCAL OFFICIAL HAVING JURISDICTION.
3. CRAWL SPACE TO BE VENTILATED AT 1 SQ. FT. PER EACH 150 SQ. FT. OF CRAWL SPACE AREA TO BE VENTILATED.
4. PROVIDE POSITIVE DRAINAGE UNDER UNIT.
5. PROVIDE MINIMUM CRAWL SPACE ACCESS OF 22" x 24".
6. MINIMUM FOOTING DEPTH OF BELOW FROSTLINE AND PER LOCAL CONDITIONS.
7. PIER LOADS ARE SHOWN IN KIPS
8. 90 MPH WIND SPEED, EXPOSURE C
9. UNIT MAY BE SHIMMED AS NECESSARY WITH HARDWOOD SHIMS BETWEEN TOP OF PIER AND MODULAR UNIT FRAME
10. MINIMUM CONCRETE STRENGTH SHALL BE 3,000 PSI AT 28 DAYS

DESIGN LOADS

FLOOR LIVE LOAD	= 50 PSF
FLOOR DEAD LOAD	= 10 PSF
ROOF LIVE LOAD	= 30 PSF
ROOF DEAD LOAD	= 10 PSF
EXTERIOR WALL DEAD LOAD	= 42 PLF

FOUNDATION LEGEND

- INDICATES BLOCKING TO BOTTOM OF MAIN I-BEAM
- INDICATES BLOCKING TO BOTTOM OF COLUMN
- INDICATES MINUTE-MAN OR EQUAL FRAME TIE-DOWN LOCATION AND DIRECTION

TITLE: BLOCKING POINTS PLAN CROSS SECTION	DRAWN BY: R.M.	DATE: 9/18/06	JOB NO: 2006-271
MODEL: 48 O/A GUARD BOOTH	REV: 10/3/06	SCALE: 1/4"=1'-0"	DRAWING NO: 4

TWIN MODULAR SERVICES, INC.
 10 INDUSTRIAL HWY., MS #26, BLDG. H3A, LESTER, PA 19113